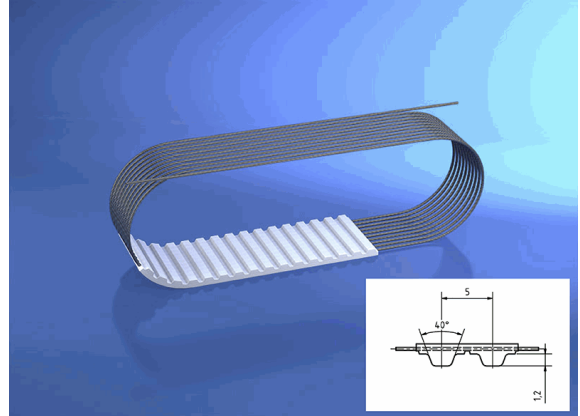


10058058

BRECOFLEX® - Zahnriemen

75 T5/610 mm



31.01.2023 14:33:44

Technical Data

| | |
|---------------------|--------------------|
| Weight | 0,099 kg per piece |
| belt type | standard |
| eCl@ss 6.2 | 23-17-02-05 |
| is standard | yes |
| material type | TPUST1 |
| pitch length | 610,00 millimeter |
| polyamide tissue | ohne |
| tension member belt | standard |
| tooth profile | T 5 |
| width | 75,00 millimeter |

Conformity

| | |
|----------------------|------------------------|
| Commodity code | 39269097 |
| China-RoHS | n/a |
| Dual-Use | no |
| REACH regulation | 2006/1907/EG (REACH) |
| RoHS directive | 2011/65/EU (RoHS II) |
| RoHS directive (III) | 2015/863/EC (RoHS III) |



10058058

BRECOFLEX® - Zahnriemen

75 T5/610 mm



31.01.2023 14:33:44

* n/s - not specified
n/a - not applicable

**** technical specifications/ conformities**

This data sheet has been created with great care and all information has been checked for correctness. However, no liability is accepted for any incorrect or incomplete information. Product images and drawings are for illustration purposes only and may vary in detail. Due to the constant further development of the products, changes in the product range and the product design are reserved! Performance and consumption data as well as descriptions may therefore differ. The use of the products is beyond our control and is therefore not our area of responsibility.

