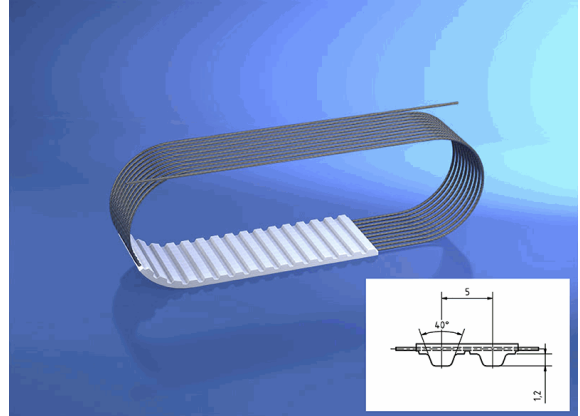


10050936

BRECOFLEX® - Zahnriemen

100 T5/780 mm, PAZ



23.02.2023 07:36:57

Technical Data

Weight	0,164 kg per piece
belt type	standard
eCl@ss 6.2	23-17-02-05
is standard	yes
material type	TPUST1
pitch length	780,00 millimeter
polyamide tissue	PAZ
tension member belt	standard
tooth profile	T 5
width	100,00 millimeter

Conformity

Commodity code	39269097
China-RoHS	n/a
Dual-Use	no
REACH regulation	2006/1907/EG (REACH)
RoHS directive	2011/65/EU (RoHS II)
RoHS directive (III)	2015/863/EC (RoHS III)



10050936

BRECOFLEX® - Zahnriemen

100 T5/780 mm, PAZ



* n/s - not specified
n/a - not applicable

**** technical specifications/ conformities**

This data sheet has been created with great care and all information has been checked for correctness. However, no liability is accepted for any incorrect or incomplete information. Product images and drawings are for illustration purposes only and may vary in detail. Due to the constant further development of the products, changes in the product range and the product design are reserved! Performance and consumption data as well as descriptions may therefore differ. The use of the products is beyond our control and is therefore not our area of responsibility.

23.02.2023 07:36:57

